

Resilient-Seated Gate Valve

Non-Rising Stem, Spigot end

WEIZIDOM Resilient Seated Gate Valve Smooth End Type, which is designed and manufactured for use in water, waste water, and sewage. Main usage is for isolation purposes. Full bore design makes it possible to be used bi-directionally and the fluid could clean the sealing surface area every time the valve is opened.



Main Features

- Huge convenience in daily water-using and repairing
If sealing parts in the bonnet are broken, we could replace the sealing parts with the valve completely open when the valve is still in the pipeline.
- Class A sealing (ZERO LEAKAGE)
- 100% testing before packing and delivery.
- Completely free and full bore self-cleaning & low-pressure loss.
- Clockwise closing (CWC) as standard, anticlockwise closing upon request.
- Operation: Manual handwheel, Square Cap, Extension Spindle.
- Bonnet bolts are in Galvanized Carbon Steel, and sealed with hot melt to prevent corrosion. Other materials upon request.
- O-ring bonnet gasket wraps each bolt to prevent corrosion.
- Linear sealing design provides better sealing & lower closing torque.
- WRAS approved for drinking water.



Standards

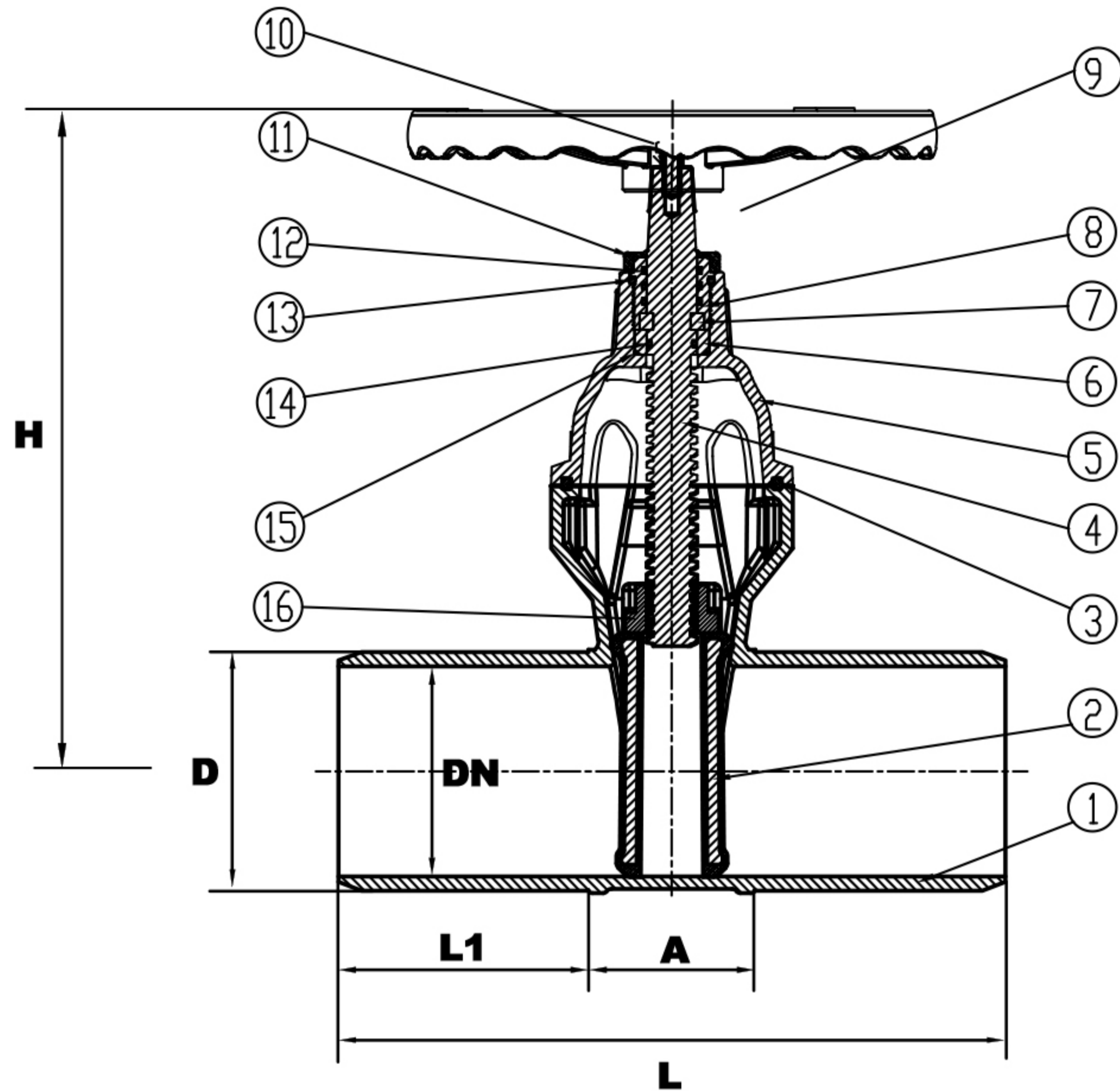
- Hydraulic tests according to EN-12266-1, Class A
- Designed to EN-1171

Service Fields

- Water and neutral liquid applications
- Main transmission pipelines
- Irrigation system
- Fire fighting



PART LIST & DIMENSIONS

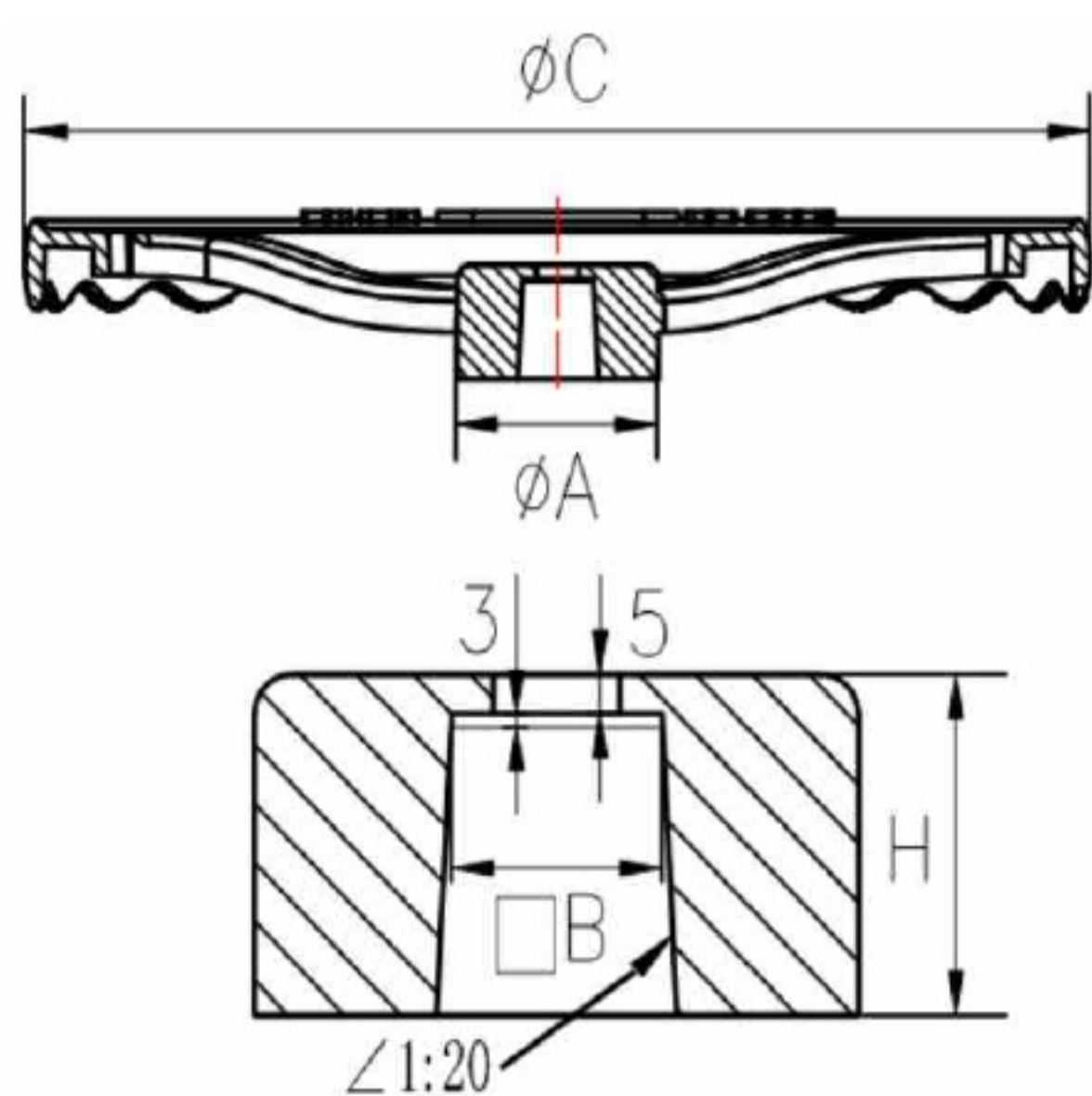


16	Stem Nut	CuZn39Pb1 Brass
15	O Ring	NBR
14	O Ring	NBR
13	O Ring	NBR
12	O Ring	NBR
11	Dust Cover	NBR
10	Cap Bolt	AISI304 STAINLESS STEEL
9	Cap	DUCTILE IRON
8	Thrust Nut	CuZn39Pb1 Brass
7	Holding Ring	CuZn39Pb1 Brass
6	Thrust Washer	CuZn39Pb1 Brass
5	Bonnet	DUCTILE IRON
4	Stem	AISI420 STAINLESS STEEL
3	Bonnet Gasket	NBR
2	Disc	EPDM+DUCTILE IRON
1	Body	DUCTILE IRON

SIZE	H	Outline Dimensions (mm)							
		For PVC Pipe				For DI Pipe			
DN		L	L1	D	A	L	L1	D	A
DN50	225	310	115	63	80	310	115	60	80
DN80	280	320	120	90	80	320	120	89	80
DN100	325	380	140	110	100	380	140	114	100
DN150	405	400	140	160	120	400	140	168	120
DN200	500	460	160	200	140	460	160	219	140
DN250	595	490	170	250	150	490	170	273	150
DN300	675	550	190	315	170	550	190	324	170



DI/steel Handwheel



valve size	φC	A	□ B	H
DN40-50	Φ180	32	□ 14	22
DN65-80	Φ200	37	□ 17	22
DN100	Φ220	43	□ 19	27
DN125	Φ250	43	□ 19	27
DN150	Φ280	43	□ 19	27
DN200	Φ315	43	□ 24	32
DN250-300	Φ400	60	□ 27	36



ANSI Square Cap

